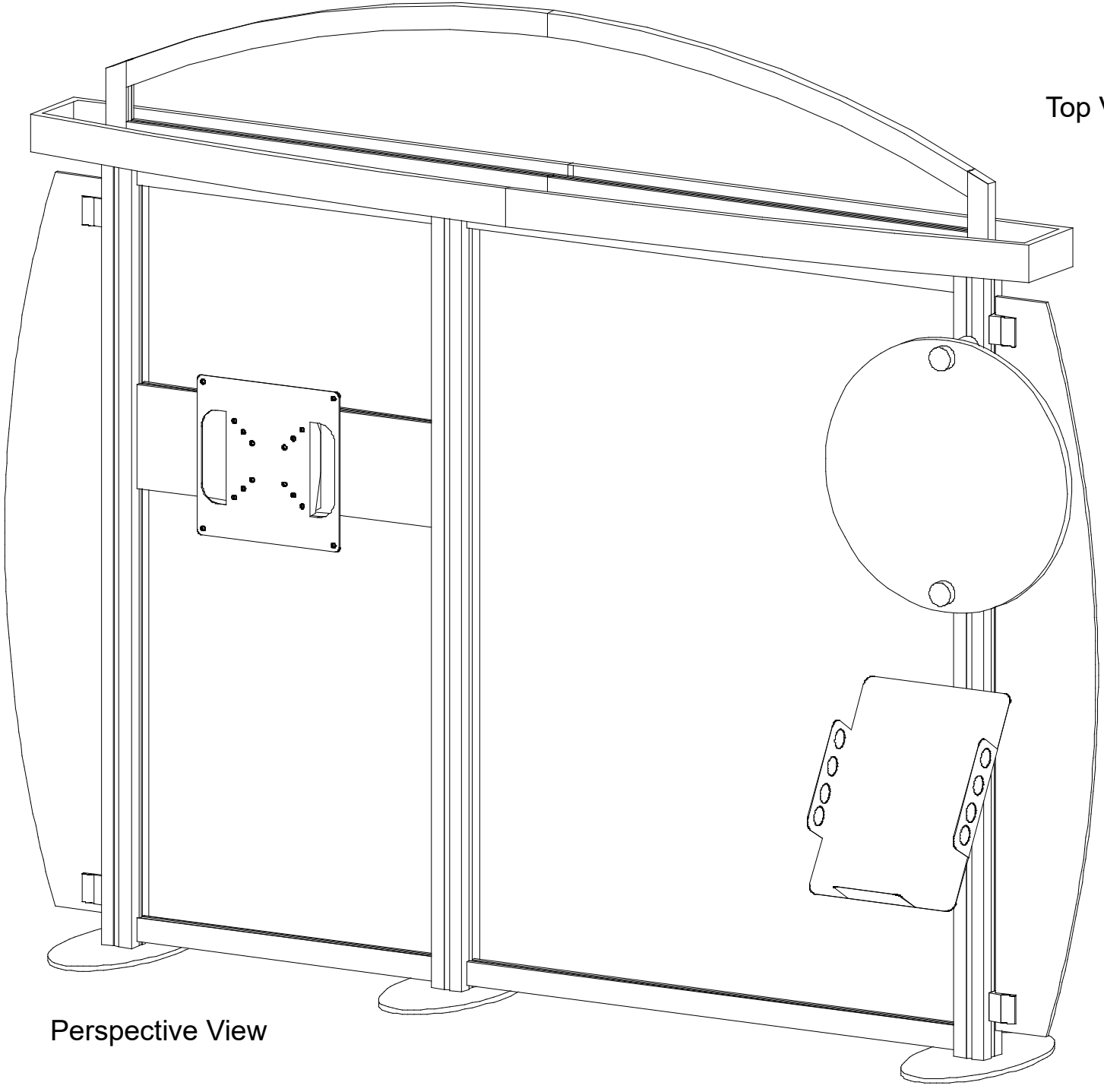


Top View



Perspective View

General Setup Instructions

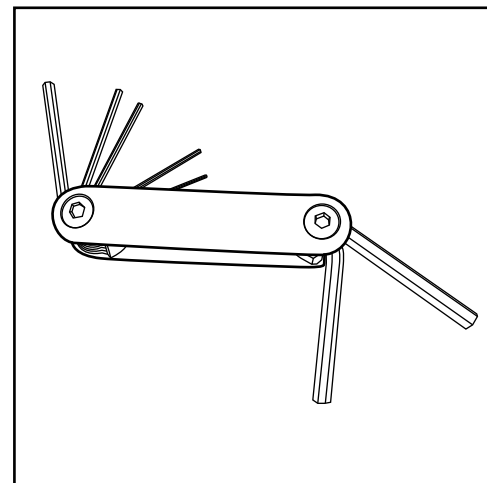
- Read entire setup instruction manual prior to unpacking parts and pieces.
- The setup instructions are created specifically for this configuration.
- Setup instructions are laid out sequentially in steps, including exploded views with detailed explanation for assembly.

Cleaning & Packing

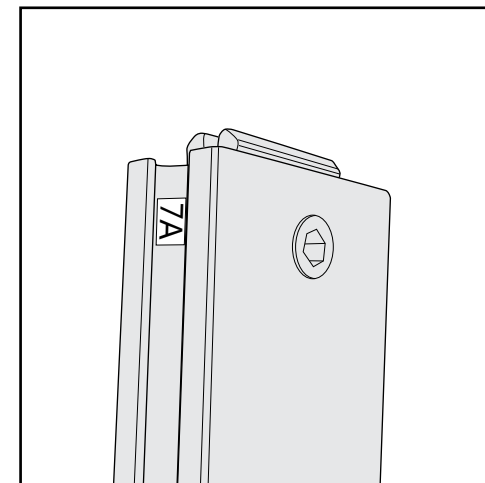
- For Cleaning Metal, Plex, & Laminate Parts: Use a **MILD NON-ABRASIVE** cleanser and soft cloth/paper towel to clean all surfaces.
- Keep exhibit components away from heat and prolonged sun exposure. **Heat and UV exposure will warp and fade components.**
- Retain all provided Packing Materials. All provided packing materials are for ease of repacking & component protection.

Disassembly

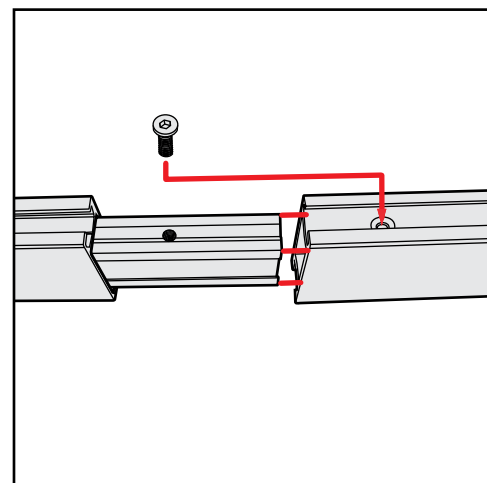
- For loss prevention, tighten all set screws and locks during disassembly.



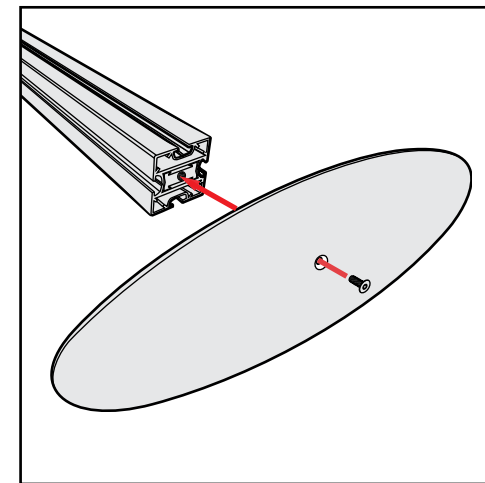
Hex Tool - Essential for Assembly



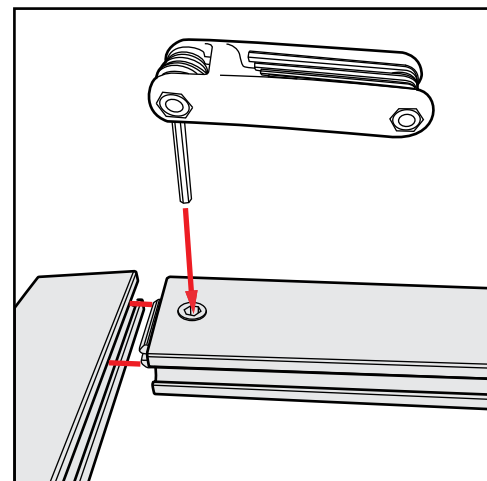
Part Identification - Numbering



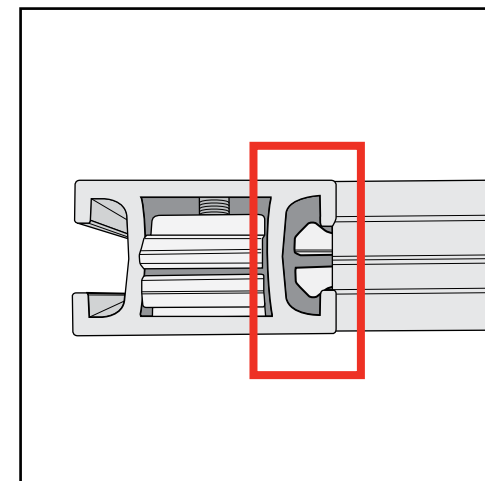
Spline Connection



Base Plate & Extrusion Connection



Extrusion & Lock Connection



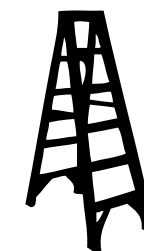
Engaged Lock



WARNING



DO NOT USE POWER TOOLS

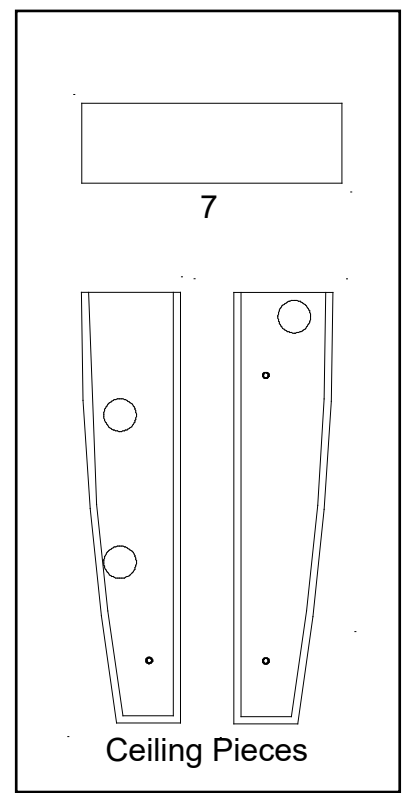


LADDERS OR LIFTS
MAY BE REQUIRED

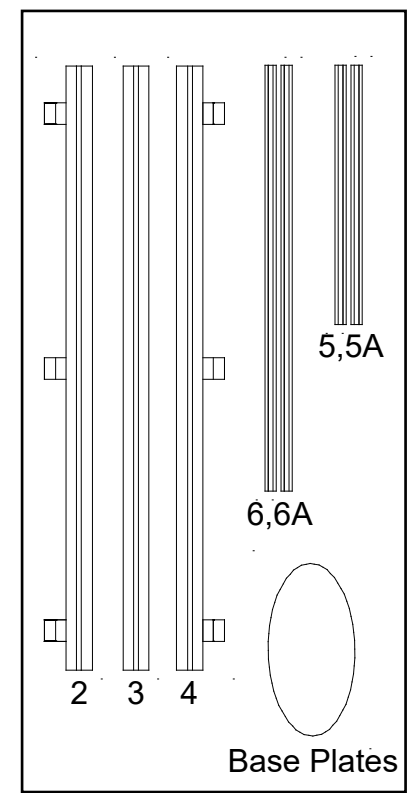


ALL CONNECTIONS MUST
BE TIGHTLY SECURED

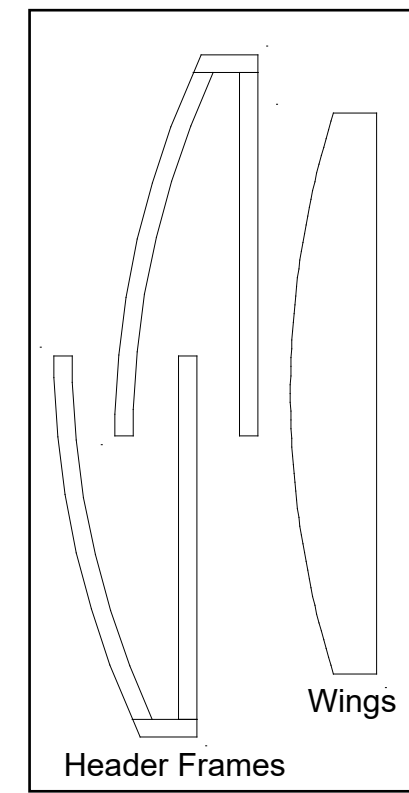
Top View of Each Level



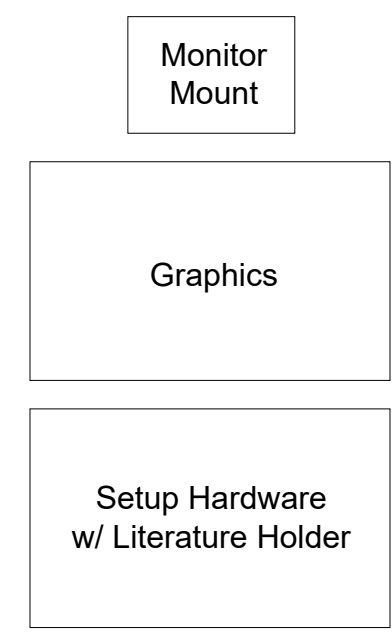
Level 1 (Bottom Level)



Level 2

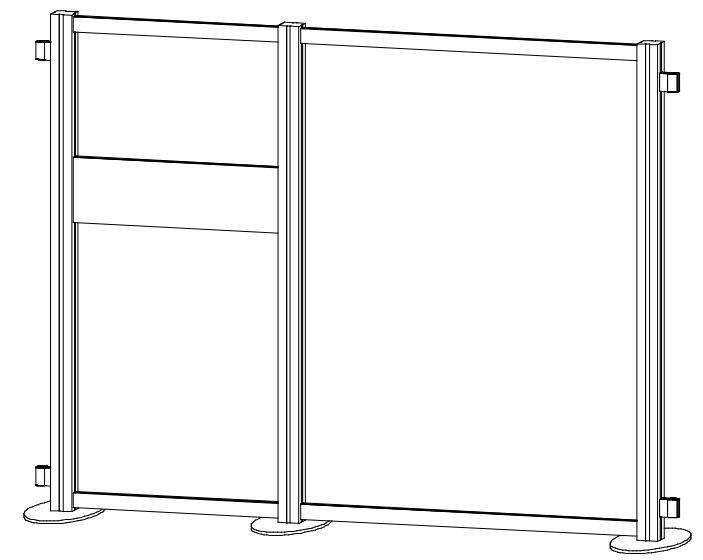


Level 3

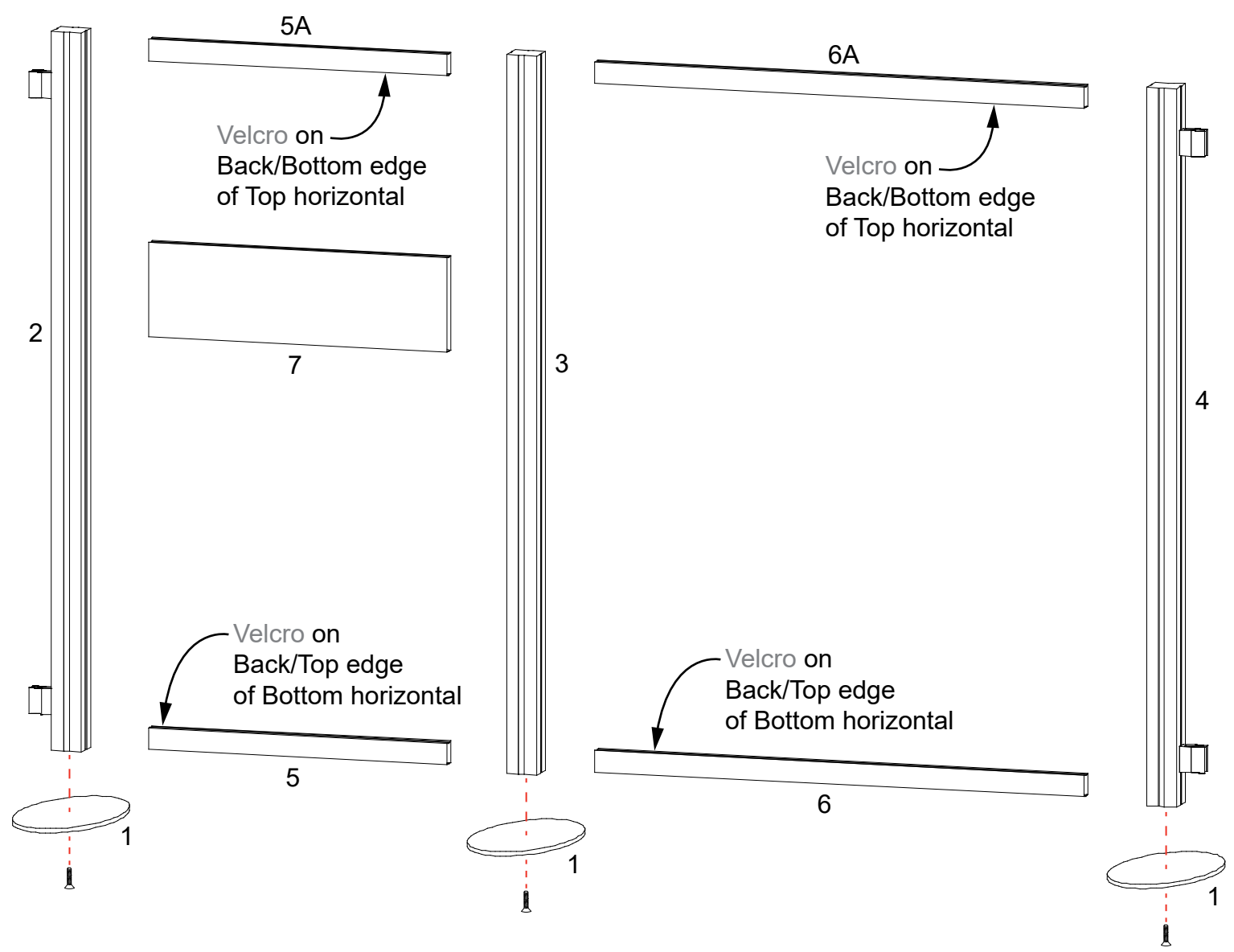


| Item | Qty. | Description |
|------|------|--------------------------------|
| 1 | 3 | Base Plate |
| 2 | 1 | 42" S44 Vertical Extrusion |
| 3 | 1 | 42" S44 Vertical Extrusion |
| 4 | 1 | 42" S44 Vertical Extrusion |
| 5,5A | 1,1 | 18" Z33 Horizontal Extrusion |
| 6,6A | 1,1 | 29.5" Z33 Horizontal Extrusion |
| 7 | 1 | 18" Z140 Horizontal Extrusion |

- Steps:
- 1) Attach base plates to extrusions [2] [3] and [4] using bolts.
 - 2) Attach extrusions [5] [5A] and [7] between extrusions [2] and [3].
 - 3) Attach extrusions [6] and [6A] between extrusions [3] and [4].
 - 4) Connect graphics to Velcro on back of assembled backwall.



Completed Assembly



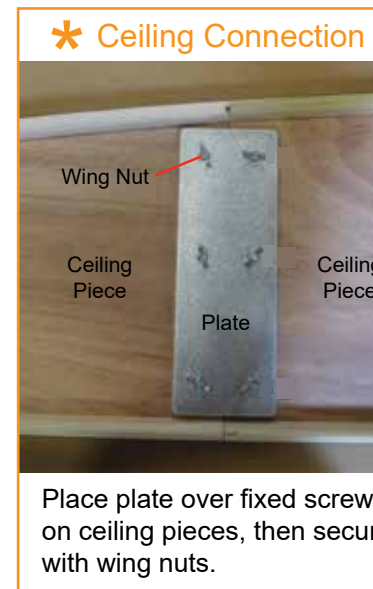
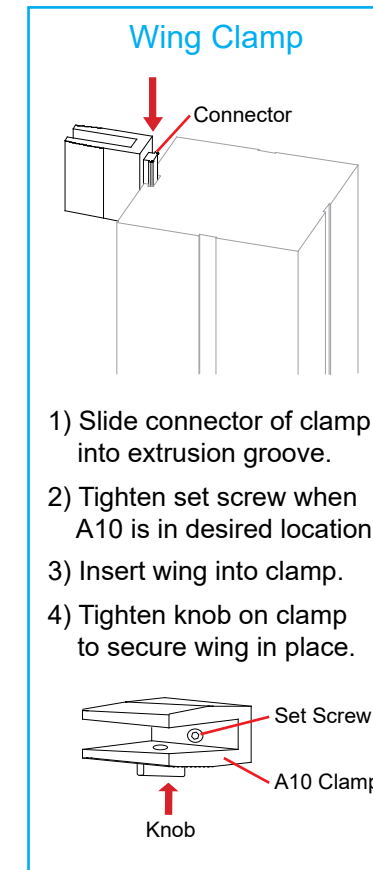
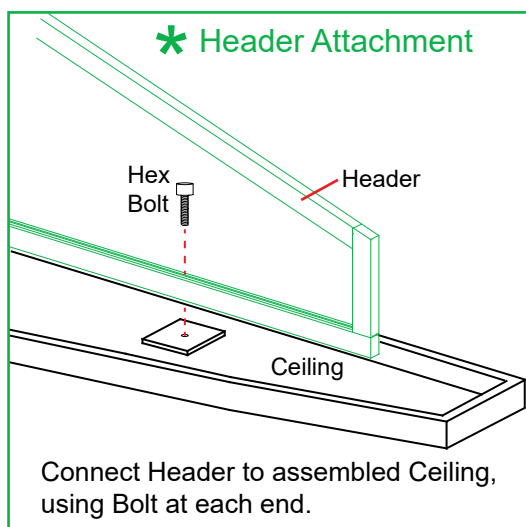
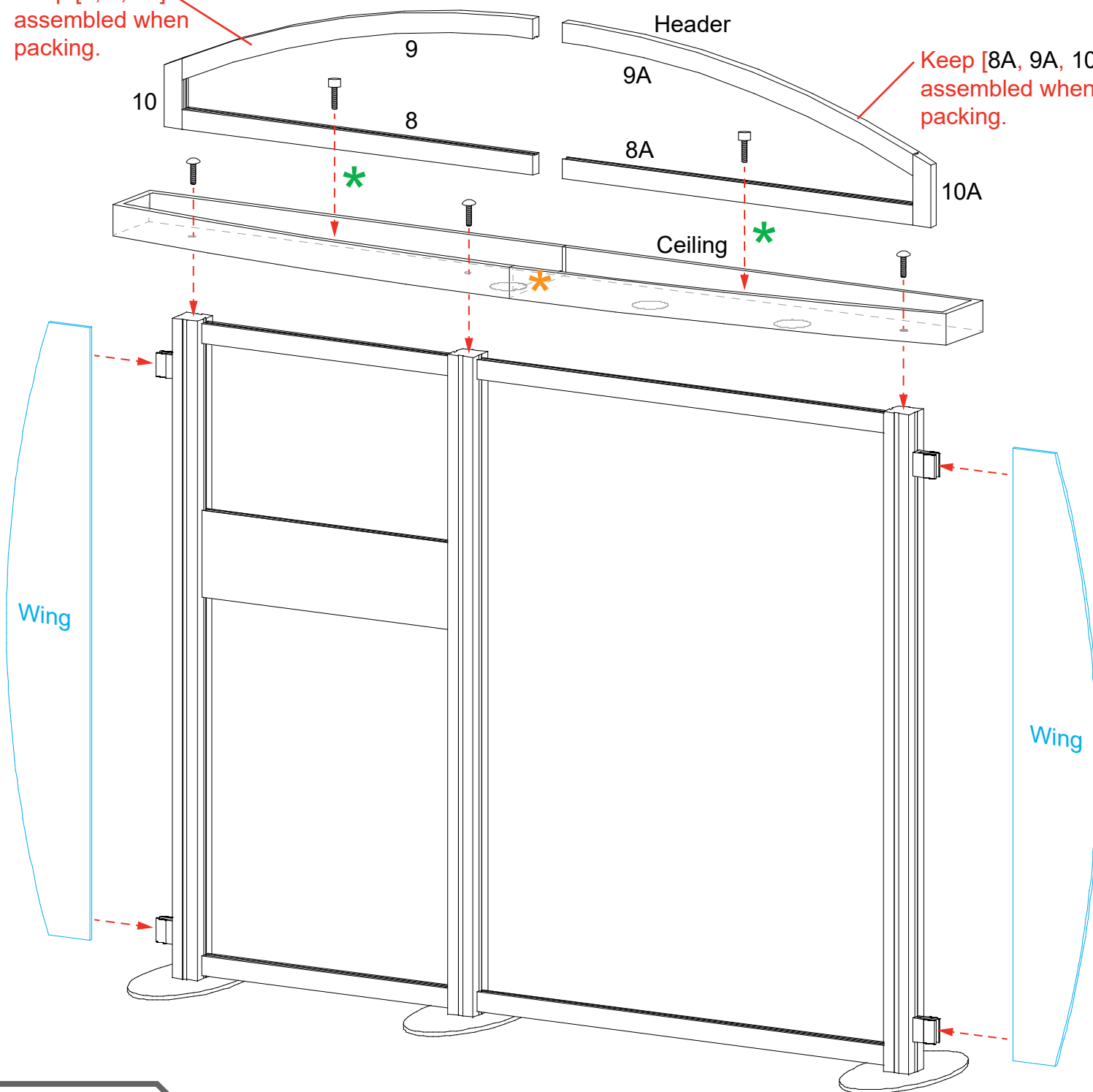
| Item | Qty. | Description |
|--------|------|-------------------------------|
| 8,8A | 1,1 | 34" Z31 Horizontal Extrusion |
| 9,9A | 1,1 | 26.017" Z31 Curved Horizontal |
| 10,10A | 1,1 | 4.5" Z31 Vertical Extrusion |

Steps:

- 1) Connect ceiling pieces together.
See **Ceiling Connection** detail.
- 2) Connect assembled header pieces together.
- 3) Attach assembled header to assembled ceiling, using hex bolts.
See **Header Attachment** detail.
- 4) Attach assembled ceiling & header to top of assembled backwall, using bolts.
- 5) Attach wings, using A10 clamps.
See **Wing Clamp** detail.
- 6) Attach sign to vertical [4A], using standoff barrels and caps.
- 7) Connect graphic to Velcro on back of assembled header.

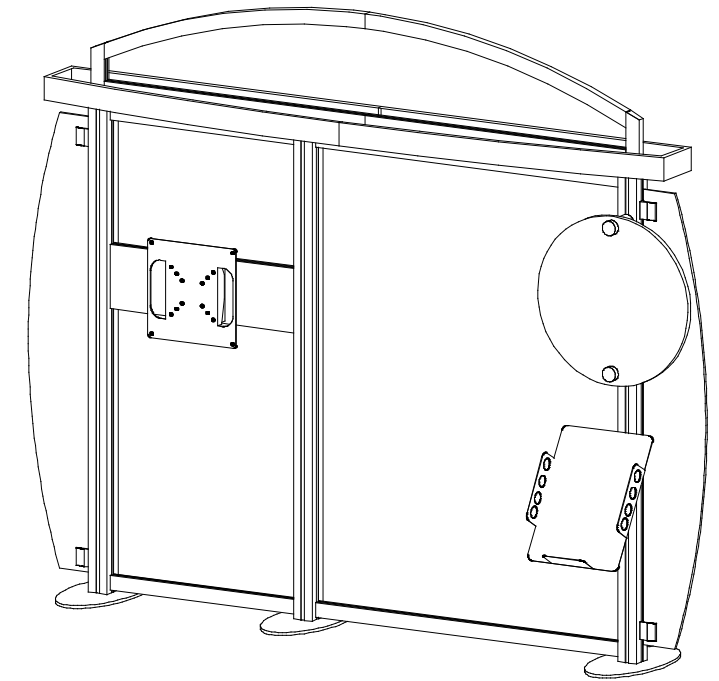
Keep [8, 9, 10] assembled when packing.

Keep [8A, 9A, 10A] assembled when packing.



Steps:

- 1) Attach monitor mount to horizontal [7]. See [Monitor Mount Attachment](#) detail.
- 2) Attach sign to vertical [4], using standoffs and screw caps. See [Sign Attachment](#) detail.
- 3) Attach literature holder to vertical [4]. See [Literature Holder Attachment](#) detail.



Completed Assembly

